



SINGLE-CHIP ADSL-TO-ETHERNET CPE ROUTER

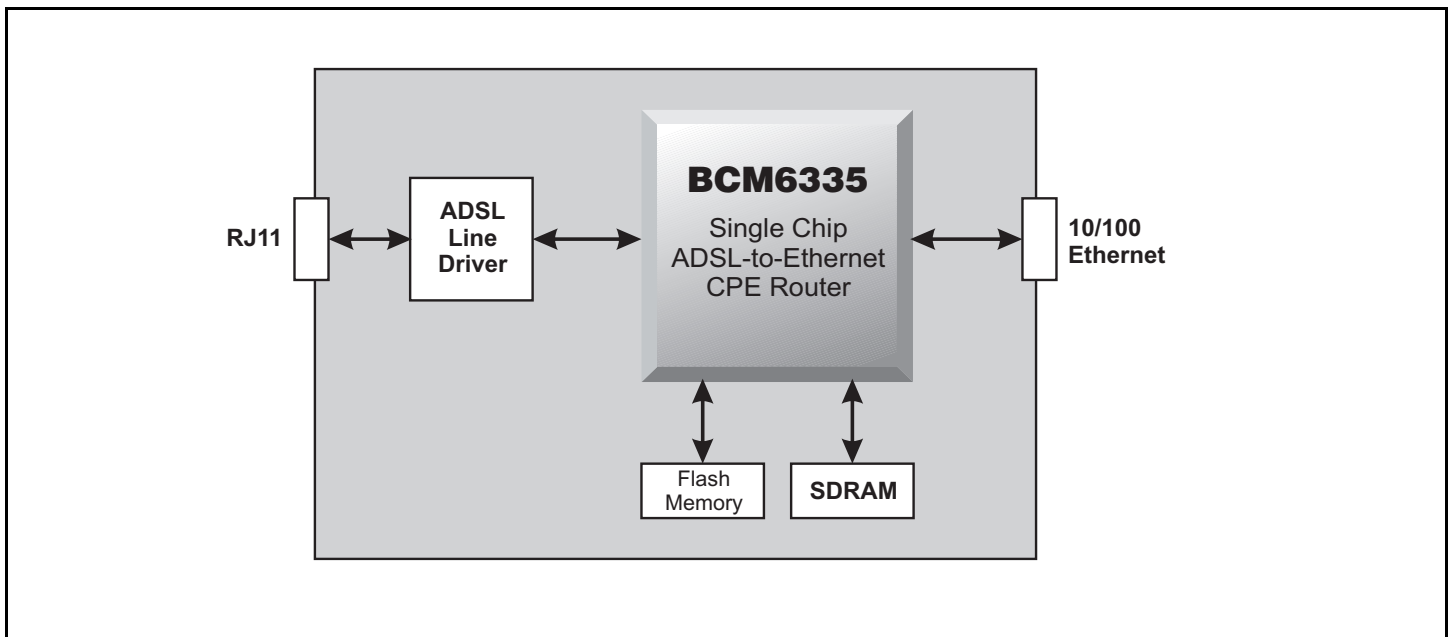
FEATURES

- Low-cost, high-performance, single-chip ADSL CPE router and modem solution
- G.992.1/G.992.2/G.992.3 and T1.413 compliant with world-wide support for Annex A, B, C, RE-ADSL, and SDSL deployments
- High-performance MIPS32™ CPU to support high data rate throughput applications
- Hardware ATM SAR for enhanced ATM VC management, traffic shaping, QoS, and CPU offload
- 10/100-Mbps IEEE 802.3u Ethernet MAC interface and 10/100-Mbps Ethernet PHY with Auto-MDIX
- Parallel FLASH and SDRAM interfaces
- On-chip power management, EJTAG, GPIO, and UART

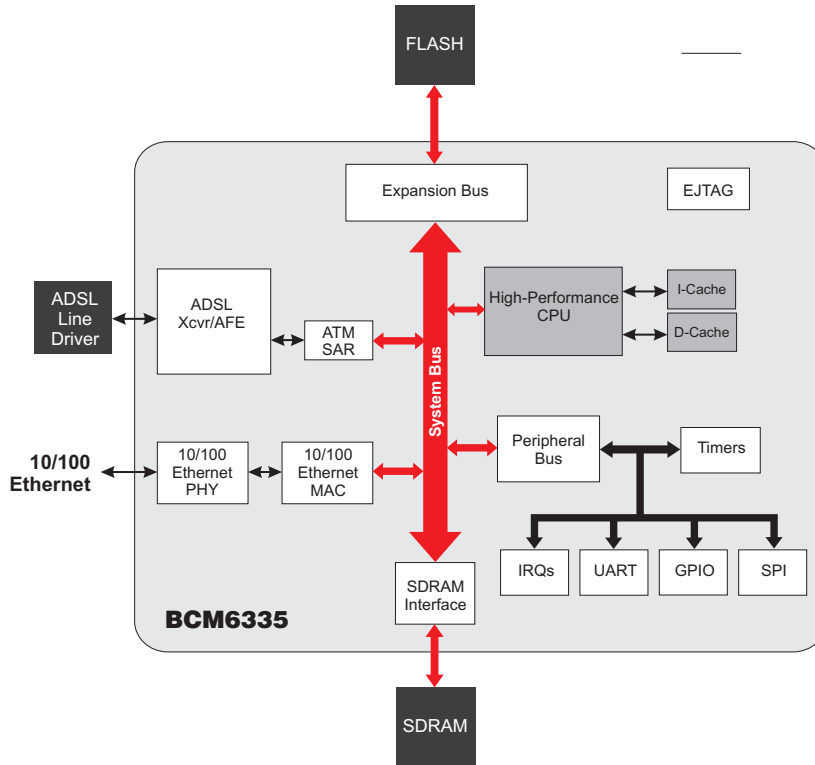
SUMMARY OF BENEFITS

- Unmatched integration dramatically reduces bill of materials
- Proven ADSL physical layer performance guarantees highest degree of interoperability with deployed DSLAMs worldwide
- MIPS32 CPU environment supports streamlined application development with choice of industry standard tool chains and operating systems
- Wire-speed bridging between ADSL and 10/100-Mbps Ethernet provides measurably superior throughput performance compared to other ADSL CPEs
- Feature-rich Linux software package greatly reduces time to market with complete documentation and support package

BCM6335-Based ADSL-to-Ethernet CPE Router



OVERVIEW



The **BCM6335** is a single-chip G.992.1/G.992.2/G.992.3 and T1.413 ADSL-to-Ethernet CPE router with a high-performance MIPS32™ CPU, a 10/100-Mbps Ethernet interface with Auto-MDIX, and FLASH and SDRAM interfaces.

The integrated ADSL transceiver and AFE supports G.dmt, T1.413, and G.Lite ADSL with G.997.1, G.994.1, I.432 TC layer, dual-latency framing, and embedded operations channel operation for remote management of the CPE.

A feature-rich Linux software package running on the MIPS32 CPU controls the ADSL modem and performs high-performance bridging between the ADSL WAN and Ethernet LAN interfaces. The web graphical user interface can be easily customized to meet specific customer requirements and reduces time to market.

The **BCM6335** is compatible with industry-standard EJTAG/Ethernet tool chains and development environments.

The full-featured ATM SAR on the **BCM6335** supports complete traffic shaping, management, and QoS for multiple VCs. The embedded 10/100-Mbps Ethernet MAC and PHY with Auto-MDIX provide connectivity to PC hosts.

The **BCM6335** enables complete ADSL-to-Ethernet CPE routers to be assembled with a minimum amount of additional components. The result is the most cost-effective solution for ADSL CPE router applications.

For more information contact your local Broadcom sales representative or Marc Abrams at mabrams@broadcom.com.

Broadcom®, the pulse logo, and **Connecting everything**® are trademarks of Broadcom Corporation and/or its subsidiaries in the United States and certain other countries. All other trademarks mentioned are the property of their respective owners.

Connecting
everything®



BROADCOM CORPORATION
16215 Alton Parkway, P.O. Box 57013
Irvine, California 92619-7013

© 2003 by BROADCOM CORPORATION. All rights reserved.

6335-PB00-R 11/05/03

Phone: 949-450-8700
Fax: 949-450-8710
E-mail: info@broadcom.com
Web: www.broadcom.com

This datasheet has been download from:

www.datasheetcatalog.com

Datasheets for electronics components.